



# SIEMENS

*Ingenuity for life*

## The world's first contactor with integrated failsafe connection

Save space and costs with powerful, innovative SIRIUS contactors, sizes S6 to S12

The size S6 to S12 range of tried and tested contactors from 55 to 250 kW (AC-3, 400 V) has been expanded by versions suitable for direct control from fail-safe controllers. This makes the coupling level superfluous. The new contactors are also available with non-removable, lateral auxiliary switches to enable fulfilment of Swiss Accident Insurance Institute (SUVA) requirements.

The new contactors constitute the logical extension and further development of the SIRIUS modular system in the area of safe switching. They are the first contactors on the market which are equipped with an input for fail-safe signals. It is now possible to attain SIL CL2 with just one contactor, or SIL 3 with two contactors in series according to IEC 62061.

The big advantage of this solution is that it saves on additional, possibly positively-driven coupling relays and makes evaluation of the safety information considerably easier.

This reduction in coupling relays is also a huge plus point for non-safety applications. Whereas previously space, money and wiring expertise were required in order to operate contactors with power ratings above 55 kW using controllers, both functional and safety switching can now take place by direct activation.

Tools such as the Safety Evaluation Tool help you to quickly find the right contactor and safely configure your application.

### Advantages at a glance

#### Digital input directly on board

- First contactor with certified, digital input for activation from fail-safe or standard controllers

#### Time and cost savings

- Additional coupling level superfluous
- Reduced wiring and configuration effort

#### Maximum safety level

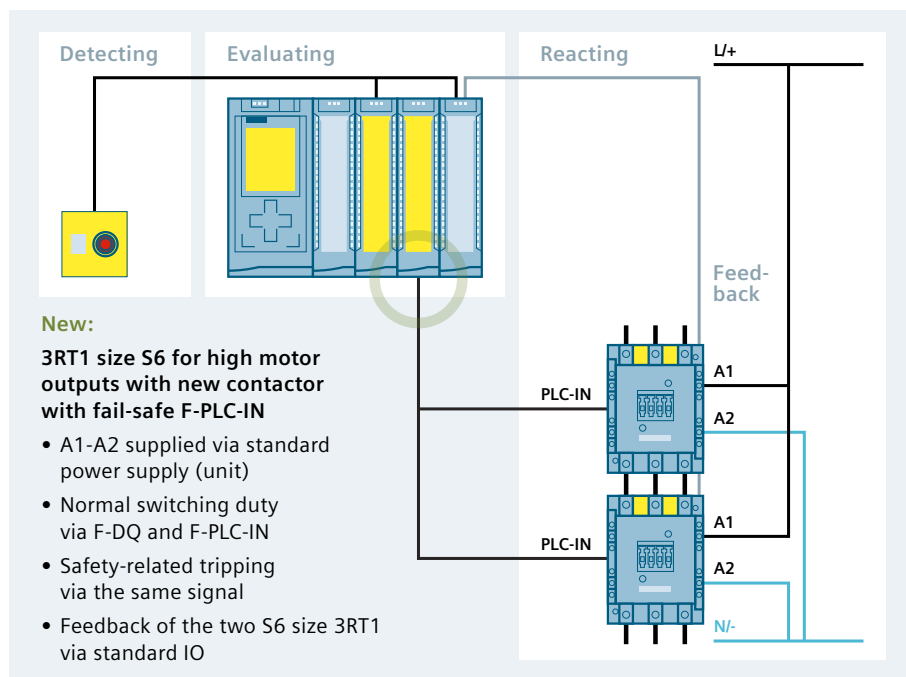
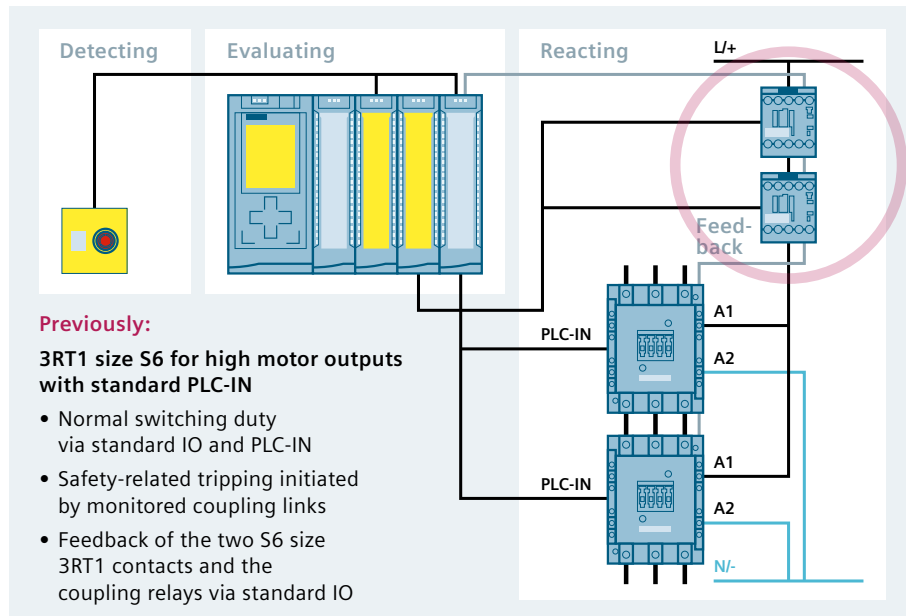
- Certified input enables devices to be used up to the highest safety level (SIL 3 / PL e)

#### Everything from a single source

- Complements safety solutions of SIRIUS modular system

# Save space and costs with a direct connection to the controller – no need for coupling relays!

SIL 3 application – previously (above) and with new contactor (below):



The SIRIUS modular system helps to build safe applications. Our portfolio also includes a large number of other SIRIUS Safety components which enable quick and easy setup of all your safety solutions:

- Safety relays (SIRIUS 3SK1, 3SK2)
- Accessories (Z connectors)
- SIRIUS 3RM1 motor starters and ET 200SP motor starters
- SIRIUS ACT command and signaling devices can be controlled by PROFINET and emergency stop

More information:  
[siemens.com/siriuss-modular-system](http://siemens.com/siriuss-modular-system)

Changes and errors excepted. The information provided in this brochure contains merely descriptions or characteristics of performance which in case of actual use do not always apply as described or which may change as a result of further development of the products. An obligation to provide the respective characteristics shall only exist if expressly agreed in the terms of contract.

Siemens AG  
 Digital Factory  
 Control Products  
 P.O. Box 23 55  
 90713 Fuerth, Germany  
 Article No.: DFCP-B10132-00-7600  
 Dispo 27601 SB 04172.  
 Printed in Germany  
 © Siemens AG 2017